

Technical data :

Rated operating distance (Sn)	0,8 mm
Mounting mode	Flush
Output type	PNP
Function	NO
Operating voltage	10...30V DC
Operating current	100 mA
No-load consumption	< 15 mA
Voltage drop	< 2 V
Residual current	< 70 μ A
Ambient temperature range	-25...70 °C
Hysteresis	3...15 %
Repeatability	< 5 %
Switching frequency	5 kHz

Protection :

Reverse polarity protection	
Short-circuit protection	
Overload protection	
IEC 61000-4-2 (ESD)	4 kV contact / 8kV air
IEC 61000-4-4 (Burst)	2kV / 5kHz
IEC 61000-4-6 (RF conducted)	3V 150kHz...80MHz
Protection degree	IP67

Materials :

Housing	Brass, nickel-plated
Connector	Brass, nickel-plated
Sensing face	Rigid epoxy

Status indication :

Output	Yellow LED
--------	------------

Connection :

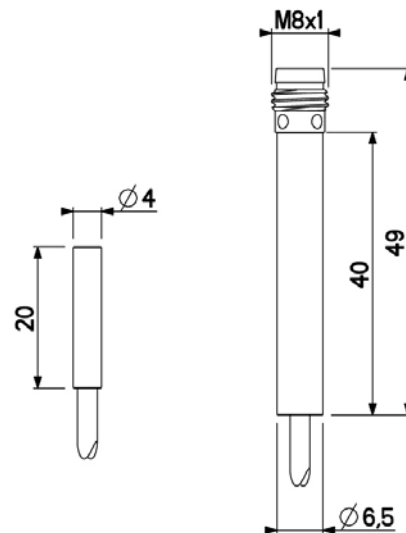
Connector	M8
Cable	PVC
Cable length	0,5 m (0/+30 mm)

A1263A05L040811EP

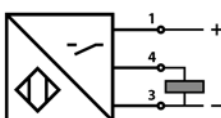
L04



Dimensions :



Connection diagram :



Pin assignment :

