

Technical data :

Rated operating distance (Sn)	2 mm
Mounting mode	Flush
Output type	PNP
Function	NO
Operating voltage	10...30V DC
Operating current	100 mA
No-load consumption	< 7 mA
Voltage drop	< 2 V
Residual current	< 70 µA
Ambient temperature range	0...85 °C
Hysteresis	3...15 %
Repeatability	< 5 %
Switching frequency	1 kHz

Protection :

Reverse polarity protection	
Short-circuit protection	
Overload protection	
IEC 61000-4-2 (ESD)	4 kV contact / 8kV air
IEC 61000-4-4 (Burst)	2kV / 5kHz
IEC 61000-4-6 (RF conducted)	3V 150kHz...80MHz
Welding environment compatible	
Protection degree	IP67

Materials :

Housing	Steel, PTFE coated
Sensing face	Ceramic

Status indication :

Output	Yellow LED
--------	------------

Connection :

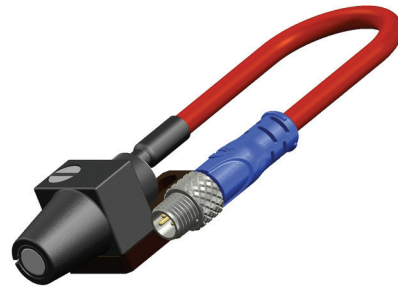
Connector	M8
Cable	PUR, halogen free
Cable length	0,2 m
Cable protection	Silicone-coated fiberglass braided sleeving

Accessories (included) :

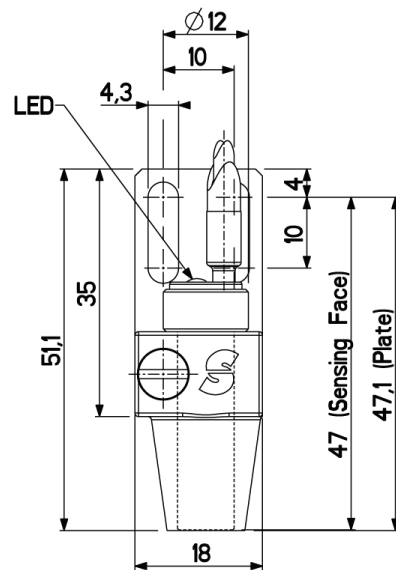
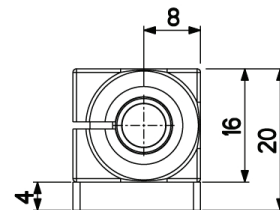
Clamp (SDPL08-PL)	
-------------------	--

A1263A02L0802CSPB

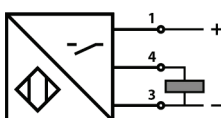
Welding environment
L08



Dimensions :



Connection diagram :



Pin assignment :

