

**Technical data :**

Rated operating distance (Sn)	1,8 mm
Mounting mode	Flush
Output type	PNP
Function	NO
Operating voltage	10...30V DC
Operating current	200 mA
No-load consumption	< 20 mA
Voltage drop	< 2 V
Residual current	< 70 $\mu$ A
Ambient temperature range	-25...70 °C
Hysteresis	3...15 %
Repeatability	< 5 %
Switching frequency	1 kHz

**Protection :**

Reverse polarity protection	
Short-circuit protection	
Overload protection	
Magnetic field immunity (welding current)	
IEC 61000-4-2 (ESD)	4 kV contact / 8kV air
IEC 61000-4-4 (Burst)	2kV / 5kHz
IEC 61000-4-6 (RF conducted)	3V 150kHz...80MHz
Class II insulation	
Protection degree	IP67

**Materials :**

Main housing	Zamak
Satellite housing	PA
Sensing face	PA

**Status indication :**

Power	Green LED
Output S01	Yellow LED
Output S02	Red LED

**Connection :**

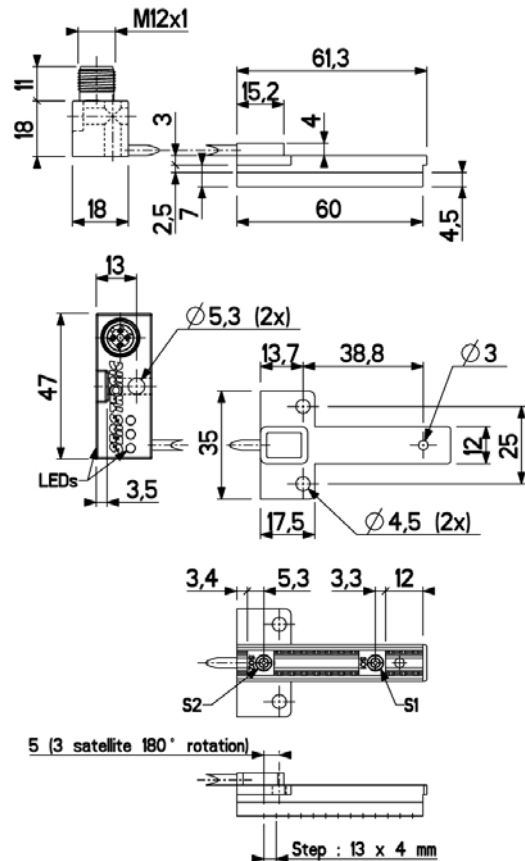
Connector	M12
Cable	PUR (4x0,14mm <sup>2</sup> )
Cable length	100 mm

## A126368K500165

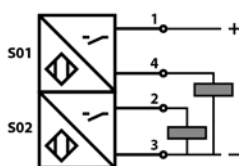
8EA-068-1  
K500



**Dimensions :**



**Connection diagram :**



**Pin assignment :**

