

Technical data :

Rated operating distance (Sn)	20 mm
Mounting mode	Flush (*)
(*) Flush mountable as shown in diagram enclosed	
Output type	PNP
Function	NO
Operating voltage	10...30 V DC
Operating current	200 mA
No-load consumption	< 15 mA
Voltage drop	< 2 V
Residual current	< 70 µA
Ambient temperature range	-25...70 °C
Hysteresis	3...15 %
Repeatability	< 5 %
Switching frequency	15 Hz

Protection :

Reverse polarity protection	
Short-circuit protection	
Overload protection	
IEC 61000-4-2 (ESD)	4 kV contact / 8kV air
IEC 61000-4-4 (Burst)	2kV / 5kHz
IEC 61000-4-6 (RF conducted)	3V 150kHz...80MHz
Protection degree	IP67

Materials :

Housing	Stainless steel
Sensing face	Stainless steel

Status indication :

Output	Yellow LED
--------	------------

Connection :

Cable	Halogen free PUR (3 x 0,34 mm ²)
Cable length	2 m

Accessories (included) :

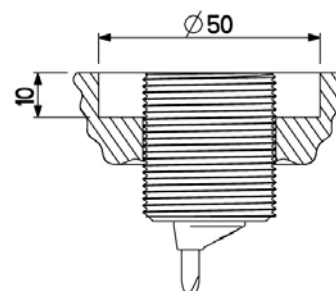
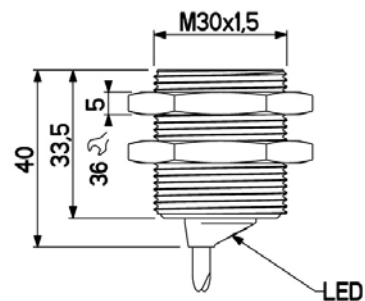
2 stainless steel fixing nuts

A126360M302061E

M30



Dimensions :



Correction factor :

Matériau détecté Detected material	Facteur de correction Correction factor
Acier / Steel (30 x 30 x 1 mm)	1,00
Inox A304L/ Stainless steel (30 x 30 x 1 mm)	0,88
Laiton / Brass (30 x 30 x 1 mm)	0,29
Cuivre / Copper (30 x 30 x 1 mm)	0,22
Cuivre / Copper (30 x 30 x 0,1 mm)	0,85
Aluminium / Aluminium (30 x 30 x 1 mm)	0,13
Aluminium / Aluminium (30 x 30 x 0,1 mm)	0,85

Connection diagram :

