

**Technical data :**

|                               |             |
|-------------------------------|-------------|
| Rated operating distance (Sn) | 2 mm        |
| Mounting mode                 | Flush       |
| Output type                   | PNP         |
| Function                      | NO          |
| Operating voltage             | 10...30V DC |
| Operating current             | 200 mA      |
| No-load consumption           | < 7 mA      |
| Voltage drop                  | < 2 V       |
| Residual current              | < 70 µA     |
| Ambient temperature range     | -25...70 °C |
| Hysteresis                    | 3...15 %    |
| Repeatability                 | < 5 %       |
| Switching frequency           | 1 kHz       |

**Protection :**

|                              |                        |
|------------------------------|------------------------|
| Reverse polarity protection  |                        |
| Short-circuit protection     |                        |
| Overload protection          |                        |
| IEC 61000-4-2 (ESD)          | 4 kV contact / 8kV air |
| IEC 61000-4-4 (Burst)        | 2kV / 5kHz             |
| IEC 61000-4-6 (RF conducted) | 3V 150kHz...80MHz      |
| Protection degree            | IP67                   |

**Materials :**

|              |                      |
|--------------|----------------------|
| Housing      | Brass, nickel-plated |
| Sensing face | PA                   |

**Connection :**

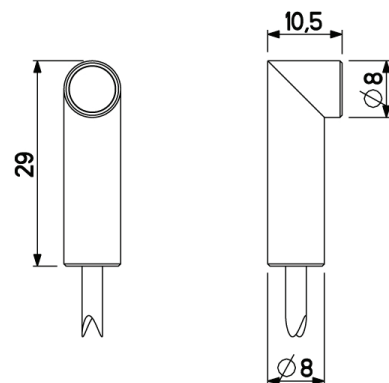
|              |   |
|--------------|---|
| Cable        | PUR, halogen free (3 x 0,14 mm <sup>2</sup> ) |
| Cable length | 2 m   |

**A126352C080211**

C08



**Dimensions :**



**Connection diagram :**

