

### Technical data :

Rated operating distance (Sn)	4 mm
Mounting mode	Flush
Output type	PNP
Function	NO
Operating voltage	10...30V DC
Operating current	200 mA
No-load consumption	< 7 mA
Voltage drop	< 2 V
Residual current	< 70 µA
Ambient temperature range	-25...70 °C
Hysteresis	3...15 %
Repeatability	< 5 %
Switching frequency	800 Hz

### Protection :

Reverse polarity protection	
Short-circuit protection	
Overload protection	
Impulsions parasites à la mise sous tension	
IEC 61000-4-2 (ESD)	4kV Contact / 8kV Air
IEC 61000-4-4 (Burst)	2kV / 5kHz
IEC 61000-4-6 (RF conducted)	3V 150kHz...80MHz
Class II insulation	
Protection degree	IP67

### Materials :

Housing	Brass, nickel-plated
Sensing face	PA

### Status indication :

Output	Yellow LED
--------	------------

### Connection :

Connector	M12
-----------	-----

### Accessories (included) :

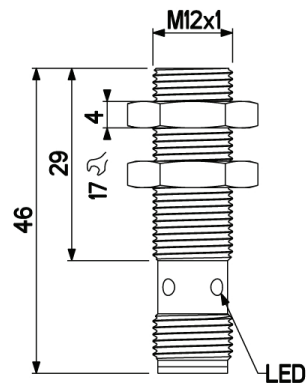
2 nickel-plated brass fixing nuts

## A126325M1204A1

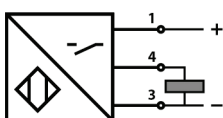
M12



### Dimensions :



### Connection diagram :



### Pin assignment :

