

Technical data :

Rated operating distance (Sn)	4 mm
Mounting mode	Flush
Output type	PNP
Function	NO
Operating voltage	10...30V DC
Operating current	200 mA
No-load consumption	< 10 mA
Voltage drop	< 2 V
Residual current	< 70 µA
Ambient temperature range	-25...70 °C
Hysteresis	3...15 %
Repeatability	< 5 %
Switching frequency	1 kHz

Protection :

Reverse polarity protection	
Short-circuit protection	
Overload protection	
Protection degree	IP67

Materials :

Housing	Brass, nickel-plated
Sensing face	PA

Status indication :

Output	Yellow LED
--------	------------

Connection :

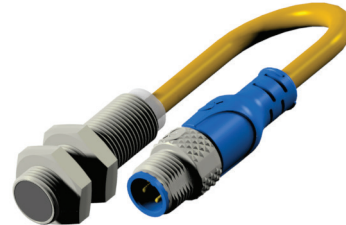
Connector	M12
Cable	PUR
Cable length	0,2 m

Accessories (included) :

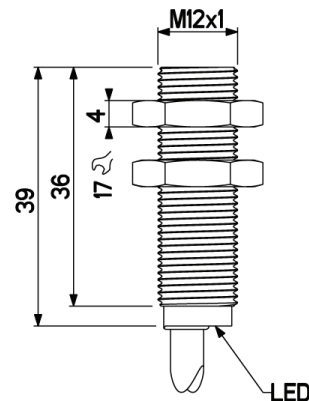
2 nickel-plated brass fixing nuts

A126320M120411

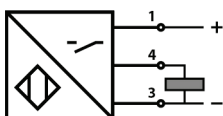
M12



Dimensions :



Connection diagram :



Pin assignment :

