

### Technical data :

|                               |              |
|-------------------------------|--------------|
| Rated operating distance (Sn) | 1,8 mm       |
| Mounting mode                 | Flush        |
| Output type                   | PNP          |
| Function                      | NO           |
| Operating voltage             | 10...30V DC  |
| Operating current             | 200 mA       |
| No-load consumption           | < 25 mA      |
| Voltage drop                  | < 2 V        |
| Residual current              | < 70 $\mu$ A |
| Ambient temperature range     | -25...70 °C  |
| Hysteresis                    | 3...15 %     |
| Repeatability                 | < 5 %        |
| Switching frequency           | 1 kHz        |

### Protection :

|   |                        |
|---|------------------------|
| Reverse polarity protection               |                        |
| Short-circuit protection                  |                        |
| Overload protection                       |                        |
| Magnetic field immunity (welding current) |                        |
| IEC 61000-4-2 (ESD)                       | 4 kV contact / 8kV air |
| IEC 61000-4-4 (Burst)                     | 2kV / 5kHz             |
| IEC 61000-4-6 (RF conducted)              | 3V 150kHz...80MHz      |
| Class II insulation                       |                        |
| Protection degree                         | IP67                   |

### Materials :

|                   |       |
|-------------------|-------|
| Main housing      | Zamak |
| Satellite housing | PA    |
| Sensing face      | PA    |

### Status indication :

|            |            |
|------------|------------|
| Power      | Green LED  |
| Output S01 | Yellow LED |
| Output S02 | Red LED    |

### Connection :

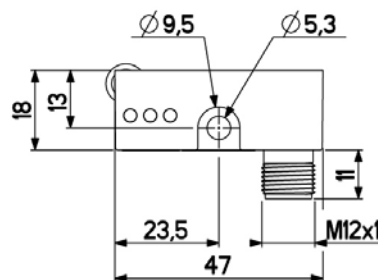
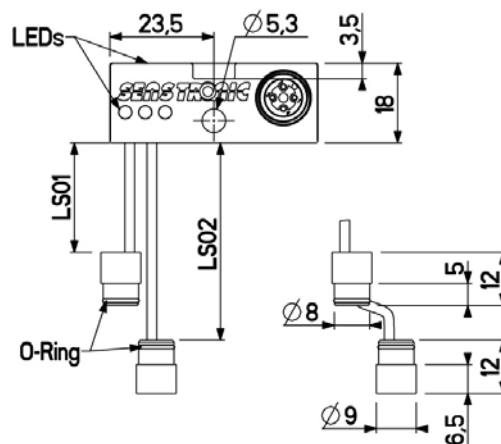
|                    |                   |
|--------------------|-------------------|
| Connector          | M12               |
| Cable (satellites) | PUR               |
| LS02 Cable length  | 110 mm (0/+10 mm) |
| LS01 Cable length  | 95 mm (0/+10 mm)  |

## A126319K500165

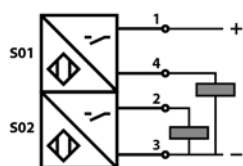
K500



### Dimensions :



### Connection diagram :



### Pin assignment :

