

Technical data :

| | |
|------------------------------------------|-----------------|
| Rated operating distance (Sn) | 20 mm |
| Mounting mode | Quasi-Flush (*) |
| (*) as shown in mechanical view enclosed | |
| Output type | PNP |
| Function | NO |
| Operating voltage | 10...30 V DC |
| Operating current | 200 mA |
| No-load consumption | < 12 mA |
| Voltage drop | < 2 V |
| Residual current | < 70 µA |
| Ambient temperature range | -25...70 °C |
| Hysteresis | 3...15 % |
| Repeatability | < 5 % |
| Switching frequency | 15 Hz |

Protection :

| | |
|------------------------------|------------------------|
| Reverse polarity protection | |
| Short-circuit protection | |
| Overload protection | |
| IEC 61000-4-2 (ESD) | 4 kV contact / 8kV air |
| IEC 61000-4-4 (Burst) | 2kV / 5kHz |
| IEC 61000-4-6 (RF conducted) | 3V 150kHz...80MHz |
| Protection degree | IP67 |

Materials :

| | |
|--------------|-----------------|
| Housing | Stainless steel |
| Sensing face | Stainless steel |

Status indication :

| | |
|--------|------------|
| Output | Yellow LED |
|--------|------------|

Connection :

| | |
|--------------|------------------|
| Connector | M12 |
| Cable | Halogen free PUR |
| Cable length | 0,15 m |

Accessories (included) :

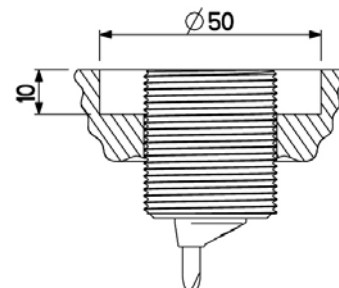
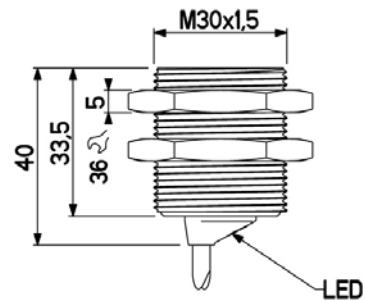
2 stainless steel fixing nuts

A126312M302063E

M30



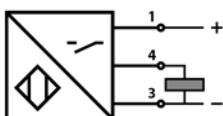
Dimensions :



Correction factor :

| Matériau détecté Detected material | Facteur de correction Correction factor |
|----------------------------------------------|--------------------------------------------|
| Acier / Steel (30 x 30 x 1 mm) | 1,00 |
| Inox A304L/ Stainless steel (30 x 30 x 1 mm) | 0,88 |
| Laiton / Brass (30 x 30 x 1 mm) | 0,29 |
| Cuivre / Copper (30 x 30 x 1 mm) | 0,22 |
| Cuivre / Copper (30 x 30 x 0,1 mm) | 0,85 |
| Aluminium / Aluminium (30 x 30 x 1 mm) | 0,13 |
| Aluminium / Aluminium (30 x 30 x 0,1 mm) | 0,85 |

Connection diagram :



Pin assignment :

