

**Technical data :**

Rated operating distance (Sn)	0,8 mm
Mounting mode	Flush
Function	NO
Operating voltage	10...30V DC
Operating current	150 mA
No-load consumption	< 10 mA
Voltage drop	< 2,5V
Residual current	< 70 µA
Ambient temperature range	-25...70 °C
Hysteresis	3...15 %
Repeatability	< 5 %
Switching frequency	5 kHz

**Protection :**

Reverse polarity protection	
Short-circuit protection	
Overload protection	
IEC 61000-4-2 (ESD)	4 kV contact / 8kV air
IEC 61000-4-4 (Burst)	2kV / 5kHz
IEC 61000-4-6 (RF conducted)	3V 150kHz...80MHz
Protection degree	IP67

**Materials :**

Housing	Brass, nickel-plated
Connector	Brass, nickel-plated
Sensing face	Rigid epoxy

**Status indication :**

Output	Yellow LED
--------	------------

**Connection :**

Connector	M8
Cable	PVC
Cable length	0,3 m

**Accessories (included) :**

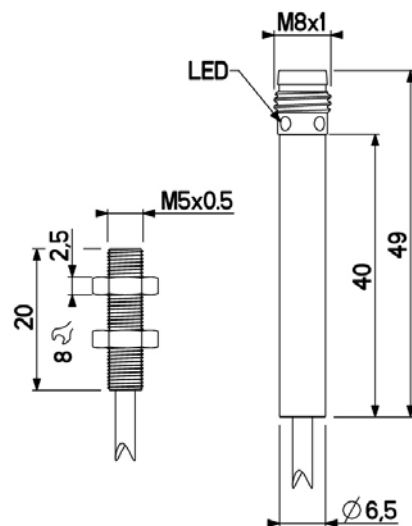
2 zinc-plated steel fixing nuts

**A126310M050811**

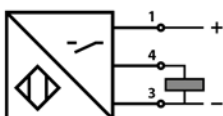
M05



**Dimensions :**



**Connection diagram :**



**Pin assignment :**

