

Technical data :

Rated operating distance (Sn)	10 mm
Mounting mode	Flush (*)
(*) Flush mountable in steel only	
Output type	PNP
Function	NO
Operating voltage	10...30 V DC
Operating current	200 mA
No-load consumption	< 15 mA
Voltage drop	< 2 V
Residual current	< 70 µA
Ambient temperature range	-25...70 °C
Hysteresis	3...15 %
Repeatability	< 5 %
Switching frequency	200 Hz

Protection :

Reverse polarity protection	
Short-circuit protection	
Overload protection	
IEC 61000-4-2 (ESD)	4 kV contact / 8kV air
IEC 61000-4-4 (Burst)	2kV / 5kHz
IEC 61000-4-6 (RF conducted)	3V 150kHz...80MHz
Protection degree	IP67

Materials :

Housing	Stainless steel
Sensing face	Stainless steel

Status indication :

Output	Yellow LED
--------	------------

Connection :

Connector	M12
Cable	PUR
Cable length	0,8 m

Accessories (included) :

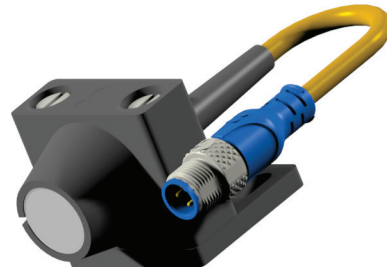
Clamp (SDPL18/PL)	
-------------------	--

Particularity :

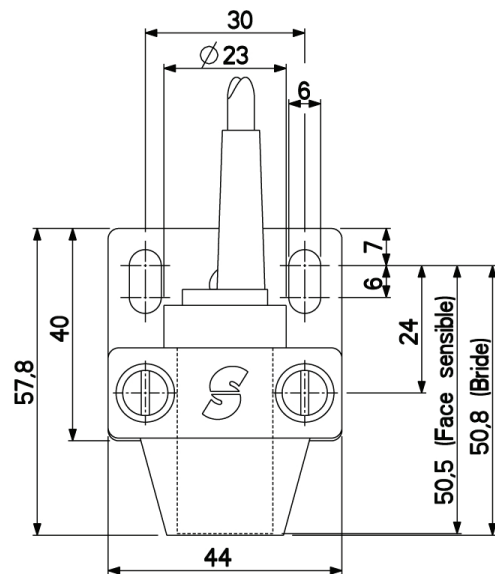
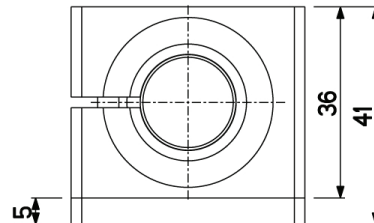
Inert to aluminium chips	
--------------------------	--

A126308L181065PB

L18



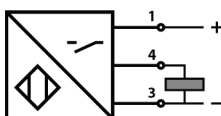
Dimensions :



Correction factor :

Matériau détecté Detected material	Facteur de correction Correction factor
Acier / Steel (30 x 30 x 1 mm)	1,00
Aluminium / Aluminium (30 x 30 x 1 mm)	1,00
Cuivre / Copper (30 x 30 x 1 mm)	0,99
Laiton / Brass (30 x 30 x 1 mm)	0,96
Inox A316 / Stainless steel (30 x 30 x 1 mm)	0,32

Connection diagram :



Pin assignment :

