

Technical data :

Rated operating distance (Sn)	1,5 mm
Mounting mode	Flush
Output type	PNP
Function	NO
Operating voltage	10...30V DC
Operating current	200 mA
No-load consumption	< 25 mA
Voltage drop	< 2 V
Residual current	< 70 µA
Ambient temperature range	-25...70 °C
Hysteresis	3...15 %
Repeatability	< 5 %
Switching frequency	1 kHz

Protection :

Reverse polarity protection	
Short-circuit protection	
Overload protection	
Protection degree	IP67

Materials :

Housing	Anodized aluminium
Sensing face	PA

Status indication :

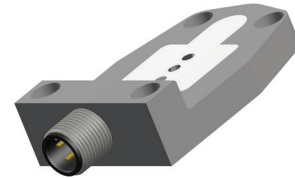
Power	Green LED
Output S4	Yellow LED
Output S2	Red LED

Connection :

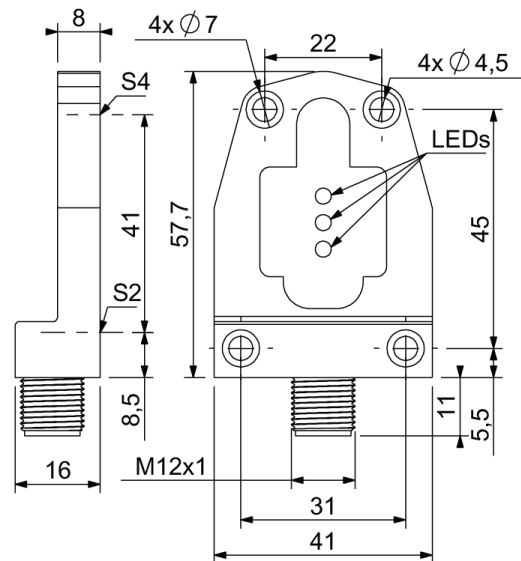
Connector	M12
-----------	-----

A126305Q570111

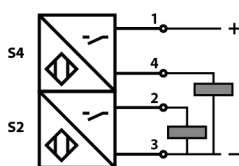
Q57



Dimensions :



Connection diagram :



Pin assignment :

