

Technical data :

Rated operating distance (Sn)	10 mm
Mounting mode	Flush (*)
(*) Flush mountable as shown in diagram enclosed	
Output type	PNP
Function	NO
Operating voltage	10...30 V DC
Operating current	200 mA
Non-Load consumption	< 12 mA
Voltage drop	< 2 V
Residual current	< 70 µA
Ambient temperature range	0...70 °C
Hysteresis	3...15 %
Repeatability	< 5 %
Switching frequency	10 Hz

Protection :

Reverse polarity protection	
Short-circuit protection	
Overload protection	
IEC 61000-4-2 (ESD)	4kV Contact / 8kV Air
IEC 61000-4-4 (Burst)	2kV / 5kHz
IEC 61000-4-6 (RF conducted)	3V 150kHz...80MHz
Protection degree	IP67

Materials :

Housing	Stainless steel
Sensing face	Stainless steel

Status indication :

Output	Yellow LED
--------	------------

Connection :

Connector	M12
-----------	-----

Accessories (included) :

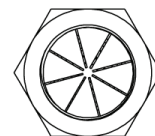
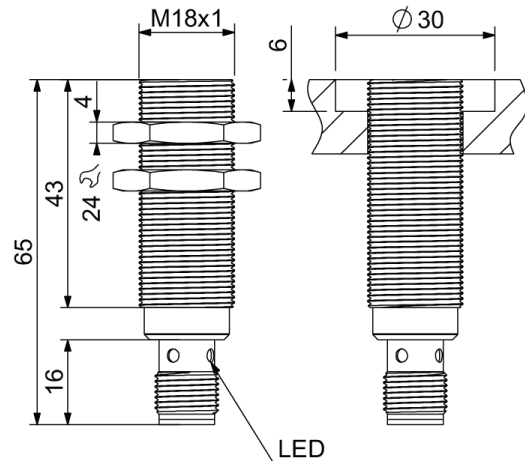
2 stainless steel fixing nuts

A126305M181061

M18



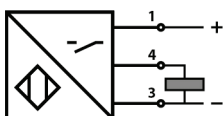
Dimensions :



Correction factor :

Matériau détecté Detected material	Facteur de correction Correction factor
Acier / Steel (18 x 18 x 1 mm)	1,00
Inox A304L/ Stainless steel (18 x 18 x 1 mm)	0,44
Laiton / Brass (18 x 18 x 1 mm)	0,00
Cuivre / Copper (18 x 18 x 1 mm)	0,00
Cuivre / Copper (18 x 18 x 0,1 mm)	0,44
Aluminium / Aluminium (18 x 18 x 1 mm)	0,00
Aluminium / Aluminium (18 x 18 x 0,1 mm)	0,66

Connection diagram :



Pin assignment :

