

**Technical data :**

Rated operating distance (Sn)	8 mm
Mounting mode	Flush (*)
(*) Nominal distance obtained only if Senstronic SDPM20 holder is used	
Output type	PNP
Function	NO
Operating voltage	10...30 V DC
Operating current	200 mA
No-load consumption	< 7 mA
Voltage drop	< 2 V
Residual current	< 70 µA
Ambient temperature range	-25...70 °C
Hysteresis	3...15 %
Repeatability	< 5 %
Switching frequency	600 Hz

**Protection :**

Reverse polarity protection	
Short-circuit protection	
Overload protection	
IEC 61000-4-2 (ESD)	4kV Contact / 8kV Air
IEC 61000-4-4 (Burst)	2kV / 5kHz
IEC 61000-4-6 (RF conducted)	3V 150kHz...80MHz
Welding environment compatible	
Class II insulation	
Protection degree	IP67

**Materials :**

Housing	Steel, PTFE coated
Sensing face	Ceramic

**Status indication :**

Output	Yellow LED
--------	------------

**Connection :**

Connector	M12
-----------	-----

**Accessories (included) :**

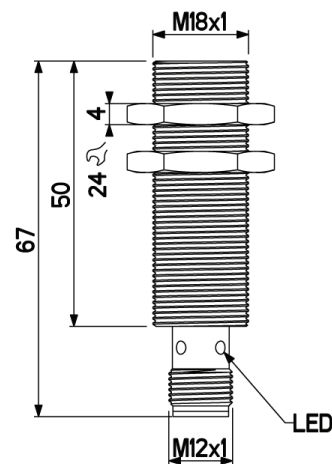
2 PTFE coated brass fixing nuts

## A126305M180871K

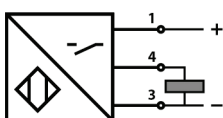
M18



**Dimensions :**



**Connection diagram :**



**Pin assignment :**

