

**Technical data :**

|  |              |
|--|--------------|
| Rated operating distance (Sn)                            | 8 mm         |
| Mounting mode  | Flush (*)    |
| (*) Flush mountable only in holders SDPM20C1 and SDPM201 |              |
| Output type  | PNP          |
| Function   | NO           |
| Operating voltage  | 10...30 V DC |
| Operating current  | 200 mA       |
| No-load consumption                                      | < 7 mA       |
| Voltage drop   | < 2 V        |
| Residual current   | < 70 µA      |
| Ambient temperature range                                | -25...70 °C  |
| Hysteresis   | 3...15 %     |
| Repeatability  | < 5 %        |
| Switching frequency                                      | 600 Hz       |

**Protection :**

|                                |                        |
|--------------------------------|------------------------|
| Reverse polarity protection    |                        |
| Short-circuit protection       |                        |
| Overload protection            |                        |
| IEC 61000-4-2 (ESD)            | 4 kV contact / 8kV air |
| IEC 61000-4-4 (Burst)          | 2kV / 5kHz             |
| IEC 61000-4-6 (RF conducted)   | 3V 150kHz...80MHz      |
| Welding environment compatible |                        |
| Class II insulation            |                        |
| Protection degree              | IP67                   |

**Materials :**

|              |                    |
|--------------|--------------------|
| Housing      | Brass, PTFE coated |
| Sensing face | Ceramic            |

**Status indication :**

|        |            |
|--------|------------|
| Output | Yellow LED |
|--------|------------|

**Connection :**

|           |     |
|-----------|-----|
| Connector | M12 |
|-----------|-----|

**Accessories (included) :**

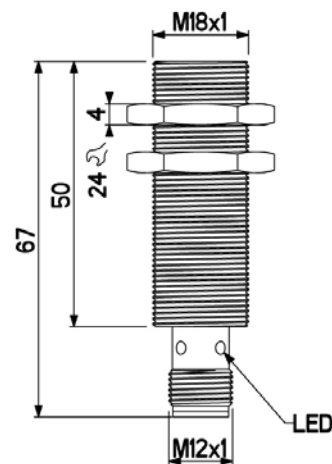
2 PTFE coated brass fixing nuts

## A126305M180851K

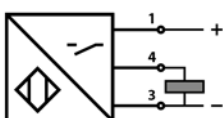
Welding environment  
M18



**Dimensions :**



**Connection diagram :**



**Pin assignment :**

