

Technical data :

Rated operating distance (Sn)	1,8 mm
Mounting mode	Flush
Output type	PNP
Function	NO
Operating voltage	10...30V DC
Operating current	200 mA
No-load consumption	< 20 mA
Voltage drop	< 2 V
Residual current	< 70 μ A
Ambient temperature range	-25...70 °C
Hysteresis	3...15 %
Repeatability	< 5 %
Switching frequency	1 kHz

Protection :

Reverse polarity protection	
Short-circuit protection	
Overload protection	
Magnetic field immunity (welding current)	
IEC 61000-4-2 (ESD)	4 kV contact / 8kV air
IEC 61000-4-4 (Burst)	2kV / 5kHz
IEC 61000-4-6 (RF conducted)	3V 150kHz...80MHz
Class II insulation	
Protection degree	IP67

Materials :

Main housing	Zamak
Satellite housing	PA
Sensing face	PA

Status indication :

Power	Green LED
Output S2	Red LED
Output S4	Yellow LED

Connection :

Connector	M12
Cable (satellites)	PUR
LS2 Cable length	110 mm (0/+10 mm)
LS4 Cable length	250 mm (0/+10 mm)

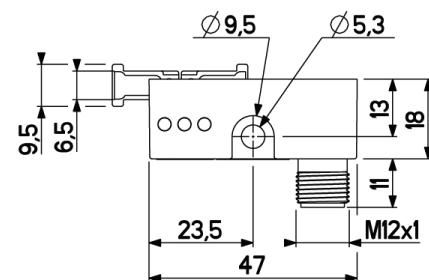
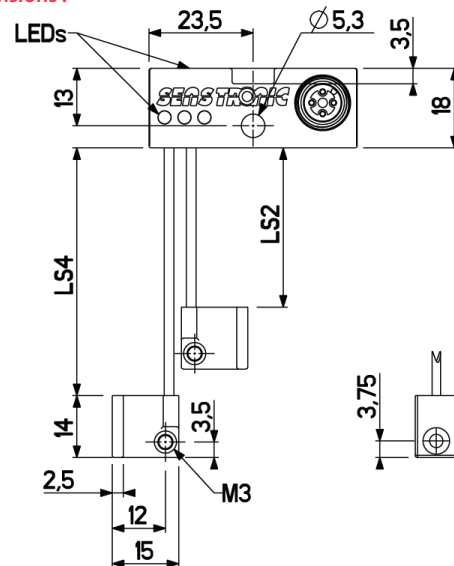
A126305K50A/65M

K500

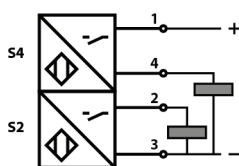


CE RoHS

Dimensions :



Connection diagram :



Pin assignment :

