

Technical data :

Rated operating distance (Sn)	3 mm
Mounting mode	Flush
Output type	PNP
Function	NO
Operating voltage	10...30V DC
Operating current	100 mA
No-load consumption	< 15 mA
Voltage drop	< 2 V
Residual current	< 70 μ A
Ambient temperature range	0...85 °C
Hysteresis	2...15 %
Repeatability	< 5 %
Switching frequency	200 Hz

Protection :

Reverse polarity protection	
Short-circuit protection	
Overload protection	
IEC 61000-4-2 (ESD)	4 kV contact / 8kV air
IEC 61000-4-4 (Burst)	2kV / 5kHz
IEC 61000-4-6 (RF conducted)	3V 150kHz...80MHz
Protection degree	IP67

Materials :

Housing	Brass, PTFE coated
Connector	Brass, nickel-plated
Sensing face	PTFE

Status indication :

Output	Yellow LED
--------	------------

Connection :

Connector	M12
Cable	PUR, halogen free
Cable length	0,3 m (0/+10 mm)
Cable protection	Silicone-coated fiberglass braided sleeving

Accessories (not included) :

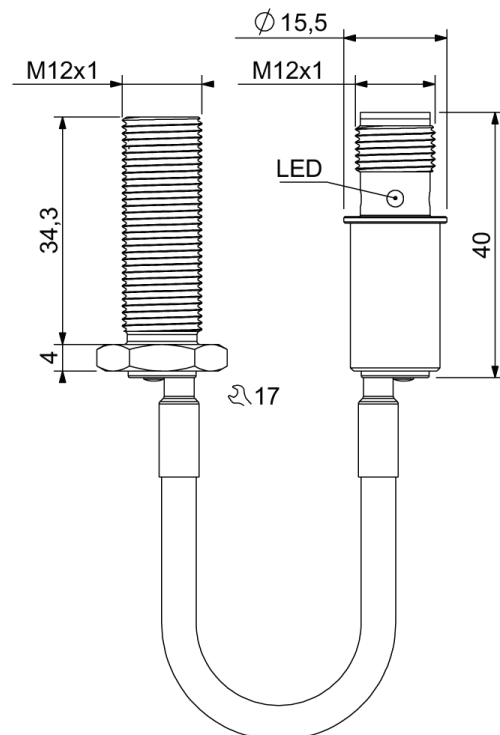
SDPM1275 Holder

A126303M120351KTS

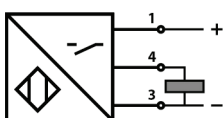
Welding environment
M12



Dimensions :



Connection diagram :



Pin assignment :

