

**Technical data :**

|                               |             |
|-------------------------------|-------------|
| Rated operating distance (Sn) | 5 mm        |
| Mounting mode                 | Flush       |
| Output type                   | PNP         |
| Function                      | NO          |
| Operating voltage             | 10...30V DC |
| Operating current             | 200 mA      |
| No-load consumption           | < 10 mA     |
| Voltage drop                  | < 2 V       |
| Residual current              | < 70 µA     |
| Ambient temperature range     | -25...70 °C |
| Hysteresis                    | 3...15 %    |
| Repeatability                 | < 5 %       |
| Switching frequency           | 600 Hz      |

**Protection :**

|                              |                        |
|------------------------------|------------------------|
| Reverse polarity protection  |                        |
| Short-circuit protection     |                        |
| Overload protection          |                        |
| IEC 61000-4-2 (ESD)          | 4 kV contact / 8kV air |
| IEC 61000-4-4 (Burst)        | 2kV / 5kHz             |
| IEC 61000-4-6 (RF conducted) | 3V 150kHz...80MHz      |
| Protection degree            | IP67                   |

**Materials :**

|              |                    |
|--------------|--------------------|
| Housing      | Anodized aluminium |
| Sensing face | Ceramic            |

**Status indication :**

|        |            |
|--------|------------|
| Power  | Green LED  |
| Output | Yellow LED |

**Connection :**

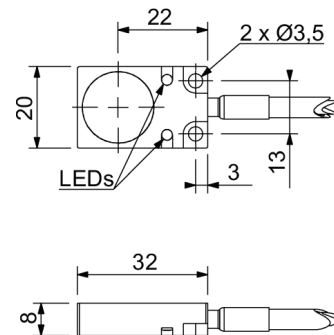
|                  |  |
|------------------|--|
| Connector        | M12                                    |
| Cable            | PUR, halogen free                      |
| Cable length     | 0,2 m (0/+20 mm)                       |
| Cable protection | Aramid fibre (kevlar) braided sleeving |

**A126302Q320541TK**

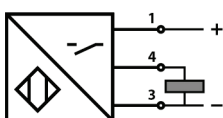
Welding environment  
Q32



**Dimensions :**



**Connection diagram :**



**Pin assignment :**

