

Technical data :

Rated operating distance (Sn)	1,5 mm
Mounting mode	Flush
Function	NO
Operating voltage	10...55 V DC
Operating current	1,5...100 mA
Voltage drop	< 5 V
Residual current	< 600 µA
Ambient temperature range	-25...70 °C
Hysteresis	3...15 %
Repeatability	< 5 %
Switching frequency	1 kHz

Protection :

Non-polarised	
Short-circuit protection	
Overload protection	
IEC 61000-4-2 (ESD)	4 kV contact / 8kV air
IEC 61000-4-4 (Burst)	2kV / 5kHz
IEC 61000-4-6 (RF conducted)	3V 150kHz...80MHz

Materials :

Main housing	PA,PC + TPV UL94 V0
Satellite housing	PA
Sensing face	PA

Status indication :

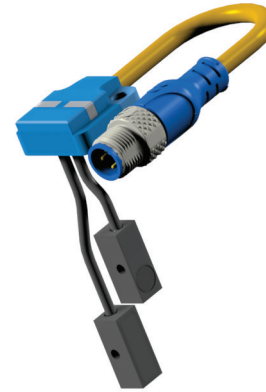
Output S4 (engaged)	Yellow LED
Output S2 (free)	Green LED

Connection :

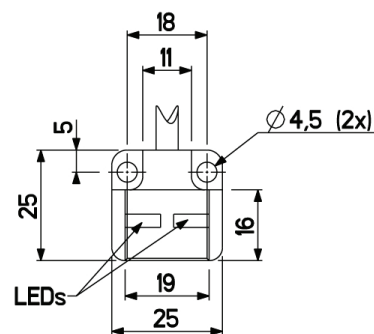
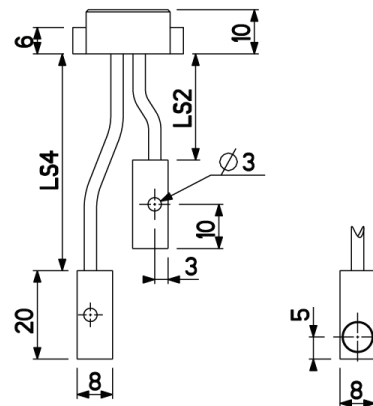
Connector	M12
Cable (satellites)	PUR
Cable	PUR
Cable length	0,15 m
LS2 Cable length	40 mm
LS4 Cable length	40 mm

A1202R2K250111

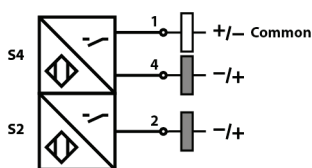
K25



Dimensions :



Connection diagram :



Pin assignment :

