

Technical data :

Function	NO
Operating voltage	10...55 V DC
Operating current	100 mA
Voltage drop	< 5 V
Residual current	< 600 µA
Ambient temperature range	-25...70 °C
Hysteresis	3...15 %
Repeatability	< 5 %
Switching frequency	20 Hz
Slider's total stroke	1,8 mm +/- 0,3 mm
Force to be applied to the slider for detecting	< 2,5 N
Slider's biasing force	> 0,9 N

Protection :

Non-polarised	
Short-circuit protection	
Overload protection	
IEC 61000-4-2 (ESD)	4kV Contact / 8kV Air
IEC 61000-4-4 (Burst)	2kV / 5kHz
IEC 61000-4-6 (RF conducted)	3V 150kHz...80MHz
Protection degree	IP67

Materials :

Housing	Brass, nickel-plated
Slide	Stainless steel

Status indication :

Output	Yellow LED
--------	------------

Connection :

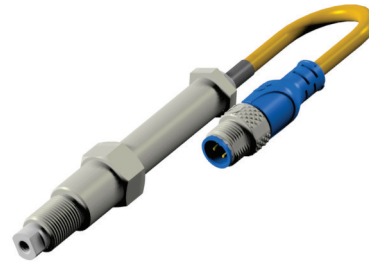
Connector	M12
Cable	Halogen free PUR
Cable length	0,8 m

Accessories (included) :

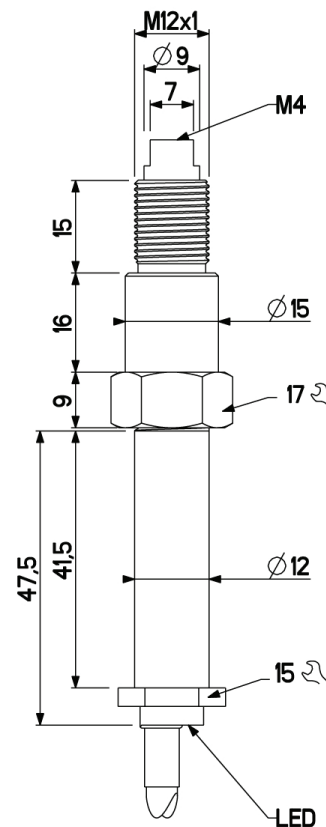
Transmitter (TRSPY)

A1202PYL12SP11

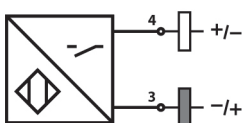
Poka-Yoke



Dimensions :



Connection diagram :



Pin assignment :

