

Technical data :

Rated operating distance (Sn)	7 mm (*)
Mounting mode	Flush
(*) The rated operating distance is reached when mounted in a SDPM20 Senstronic's sensor holder	
Function	NO
Operating voltage	10...30 V DC
Operating current	2...100 mA
Voltage drop	< 5 V
Residual current	< 800 µA
Ambient temperature range	0...70 °C
Hysteresis	3...15 %
Repeatability	< 5 %
Switching frequency	100 Hz

Protection :

Reverse polarity protection	
Short-circuit protection	
Overload protection	
IEC 61000-4-2 (ESD)	4kV Contact / 8kV Air
IEC 61000-4-4 (Burst)	2kV / 5kHz
IEC 61000-4-6 (RF conducted)	3V 150kHz...80MHz
Protection degree	IP67

Materials :

Housing	Brass, nickel-plated
Sensing face	PA

Status indication :

Output	Yellow LED
--------	------------

Connection :

Cable	PVC (3x0,34mm ²)
Cable length	3 m

Accessories (included) :

- 2 nickel-plated brass fixing nuts
- 1 Stainless steel toothed locked washer

A1202G30M180711PV

M18

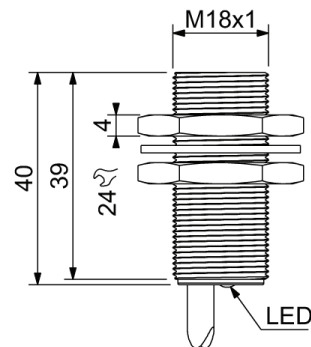


CE

RoHS

UK
CA

Dimensions :



Connection diagram :

