

Technical data :

Rated operating distance (Sn)	7 mm (*)
Mounting mode	Flush
(*) The rated operating distance is reached when mounted in a SDPM20 Senstronic's sensor holder	
Function	NO
Operating voltage	10...30V DC
Operating current	2...100 mA
Voltage drop	< 5 V
Residual current	< 800 µA
Ambient temperature range	0...85 °C
Hysteresis	3...15 %
Repeatability	< 5 %
Switching frequency	100 Hz

Protection :

Reverse polarity protection	
Short-circuit protection	
Overload protection	
IEC 61000-4-2 (ESD)	4 kV contact / 8kV air
IEC 61000-4-4 (Burst)	2kV / 5kHz
IEC 61000-4-6 (RF conducted)	3V 150kHz...80MHz
Protection degree	IP67

Materials :

Housing	Brass, PTFE coated
Sensing face	PTFE

Status indication :

Output	Yellow LED
--------	------------

Connection :

Connector	M12
Cable	PUR
Cable length	0,8 m
Cable protection	Aramid fibre (kevlar) braided sleeving

Accessories (included) :

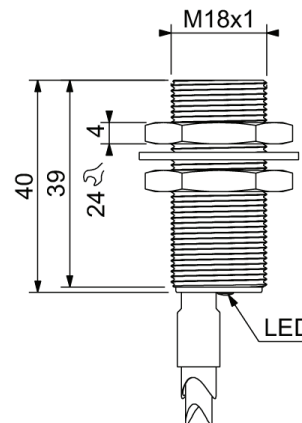
- 2 PTFE coated brass fixing nuts
- 1 Stainless steel toothed locked washer

A1202D08M180751TK

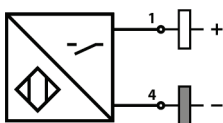
Welding environment
M18



Dimensions :



Connection diagram :



Pin assignment :

