

**Technical data :**

Rated operating distance (Sn)	3 mm
Mounting mode	Flush
Function	NO
Operating voltage	10...30V DC
Operating current	2...100 mA
Voltage drop	< 5 V
Residual current	< 800 µA
Ambient temperature range	-25...70 °C
Hysteresis	3...15 %
Repeatability	< 5 %
Switching frequency	300 Hz

**Protection :**

Reverse polarity protection	
Short-circuit protection	
Overload protection	
IEC 61000-4-2 (ESD)	4 kV contact / 8kV air
IEC 61000-4-4 (Burst)	2kV / 5kHz
IEC 61000-4-6 (RF conducted)	3V 150kHz...80MHz
Welding environment compatible	
Protection degree	IP67

**Materials :**

Housing	Brass, PTFE coated
Sensing face	Ceramic

**Status indication :**

Output	Yellow LED
--------	------------

**Connection :**

Connector	M12
Cable	PUR, halogen free
Cable length	0,8 m (0/+30 mm)
Cable protection	Aramid fibre (kevlar) braided sleeving

**Accessories (included) :**

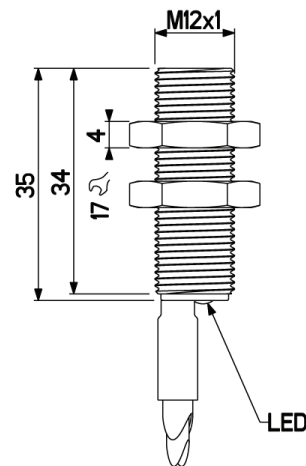
2 PTFE coated brass fixing nuts

## A1202D08M120351CK

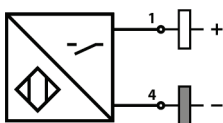
Welding environment  
M12



**Dimensions :**



**Connection diagram :**



**Pin assignment :**

