

**Technical data :**

|                               |             |
|-------------------------------|-------------|
| Rated operating distance (Sn) | 3 mm        |
| Mounting mode                 | Flush       |
| Function                      | NO          |
| Operating voltage             | 10...30V DC |
| Operating current             | 2...100 mA  |
| Voltage drop                  | < 5 V       |
| Residual current              | < 800 µA    |
| Ambient temperature range     | -25...70 °C |
| Hysteresis                    | 3...15 %    |
| Repeatability                 | < 5 %       |
| Switching frequency           | 300 Hz      |

**Protection :**

|                                |                       |
|--------------------------------|-----------------------|
| Reverse polarity protection    |                       |
| Short-circuit protection       |                       |
| Overload protection            |                       |
| IEC 61000-4-2 (ESD)            | 4kV Contact / 8kV Air |
| IEC 61000-4-4 (Burst)          | 2kV / 5kHz            |
| IEC 61000-4-6 (RF conducted)   | 3V 150kHz...80MHz     |
| Welding environment compatible |                       |
| Protection degree              | IP67                  |

**Materials :**

|              |                    |
|--------------|--------------------|
| Housing      | Brass, PTFE coated |
| Sensing face | Ceramic            |

**Status indication :**

|        |            |
|--------|------------|
| Output | Yellow LED |
|--------|------------|

**Connection :**

|                  |  |
|------------------|--|
| Connector        | M12                                    |
| Cable            | Grey PVC                               |
| Cable length     | 0,3 m (0/+30 mm)                       |
| Cable protection | Aramid fibre (kevlar) braided sleeving |

**Accessories (included) :**

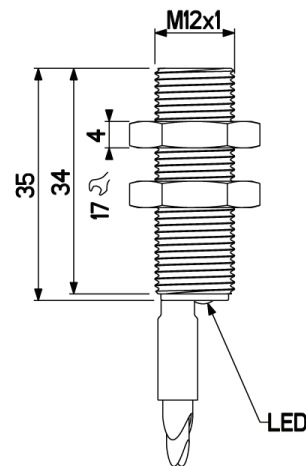
2 PTFE coated brass fixing nuts

## A1202D03M120351CY\_TY

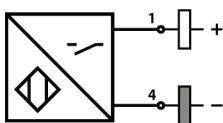
Welding environment  
M12



**Dimensions :**



**Connection diagram :**



**Pin assignment :**

