

Technical data :

Rated operating distance (Sn)	3 mm
Mounting mode	Flush
Function	NO
Operating voltage	10...30V DC
Operating current	2...100 mA
Voltage drop	< 5 V
Residual current	< 800 µA
Ambient temperature range	-25...70 °C
Hysteresis	3...15 %
Repeatability	< 5 %
Switching frequency	300 Hz

Protection :

Reverse polarity protection	
Short-circuit protection	
Overload protection	
IEC 61000-4-2 (ESD)	4 kV contact / 8kV air
IEC 61000-4-4 (Burst)	2kV / 5kHz
IEC 61000-4-6 (RF conducted)	3V 150kHz...80MHz
Welding environment compatible	
Protection degree	IP67

Materials :

Housing	Brass, PTFE coated
Sensing face	Ceramic

Status indication :

Output	Yellow LED
--------	------------

Connection :

Connector	M12
Cable	Irradiated PUR, halogen free
Cable length	0,3 m (0/+30 mm)
Cable protection	Aramid fibre (kevlar) braided sleeving

Accessories (included) :

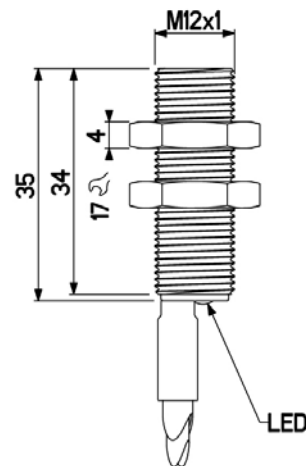
2 PTFE coated brass fixing nuts

A1202D03M120351CK

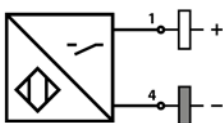
M12



Dimensions :



Connection diagram :



Pin assignment :

