

Technical data :

Rated operating distance (Sn)	10 mm
Mounting mode	Flush
Function	NO
Operating voltage	10...55 V DC
Operating current	1,5...200 mA(*)
Voltage drop	< 5 V
Residual current	< 600 µA
Ambient temperature range	-40...90 °C
Hysteresis	3...15 %
Repeatability	< 5 %
Switching frequency	150 Hz

Protection :

Non-polarised	
Short-circuit protection	
Overload protection	
IEC 61000-4-2 (ESD)	4kV Contact / 8kV Air
IEC 61000-4-4 (Burst)	2kV / 5kHz
IEC 61000-4-6 (RF conducted)	3V 150kHz...80MHz
Protection degree	IP67

Materials :

Housing	PA
Sensing face	PA

Status indication :

Output	Yellow LED
--------	------------

Connection :

Connector	M12
Cable	PUR ADR ISO6722
Cable length	0,15 m

Accessories (included) :

- 1 Q26 zamak holder
- 2 screws (CHC M4-20 mm + CHC M4-40 mm,) zinc-plated steel
- 2 nuts+washers M4 type H + D4 Z-type, zinc-plated steel
- 1 field attachable connector (L12/4L01PG9)

Remarks :

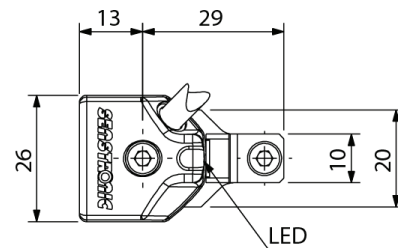
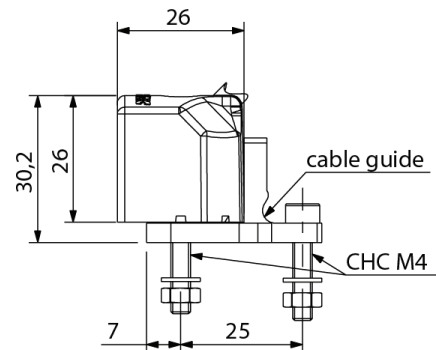
(*) Above 70°C, the operating current is reduced by 3 mA/°C

A1202BMQ261021

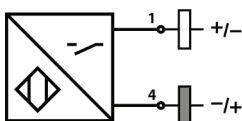
Q26



Dimensions :



Connection diagram :



Pin assignment :

