

**Technical data :**

|                               |              |
|-------------------------------|--------------|
| Rated operating distance (Sn) | 1,5 mm       |
| Mounting mode                 | Flush        |
| Function                      | NO           |
| Operating voltage             | 10...55 V DC |
| Operating current             | 1,5...100 mA |
| Voltage drop                  | < 5 V        |
| Residual current              | < 600 µA     |
| Ambient temperature range     | -25...70 °C  |
| Hysteresis                    | 3...15 %     |
| Repeatability                 | < 5 %        |
| Switching frequency           | 300 Hz       |

**Protection :**

|                              |                        |
|------------------------------|------------------------|
| Non-polarised                |                        |
| Short-circuit protection     |                        |
| Overload protection          |                        |
| IEC 61000-4-2 (ESD)          | 4 kV contact / 8kV air |
| IEC 61000-4-4 (Burst)        | 2kV / 5kHz             |
| IEC 61000-4-6 (RF conducted) | 3V 150kHz...80MHz      |
| Protection degree            | IP67                   |

**Materials :**

|              |                    |
|--------------|--------------------|
| Housing      | Anodized aluminium |
| Sensing face | PA                 |

**Status indication :**

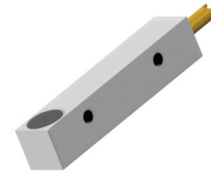
|        |            |
|--------|------------|
| Output | Yellow LED |
|--------|------------|

**Connection :**

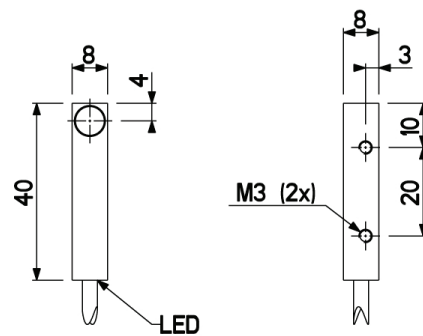
|              |   |
|--------------|---|
| Cable        | PUR, halogen free (2 x 0,14 mm <sup>2</sup> ) |
| Cable length | 2 m   |

A120250Q080111

Q08



**Dimensions :**



**Connection diagram :**

