

Technical data :

Rated operating distance (Sn)	2 mm
Mounting mode	Flush
Function	NO
Operating voltage	10...55 V DC
Operating current	1,5...100 mA
Voltage drop	< 5,5 V
Residual current	< 600 µA
Ambient temperature range	-25...70 °C
Hysteresis	3...15 %
Repeatability	< 3 %
Switching frequency	300 Hz

Protection :

Non-polarised	
Short-circuit protection	
Overload protection	
IEC 61000-4-2 (ESD)	4 kV contact / 8kV air
IEC 61000-4-4 (Burst)	2kV / 5kHz
IEC 61000-4-6 (RF conducted)	3V 150kHz...80MHz
AC magnetic field immunity (AC welding current)	
1,5 kA @ 5 cm	
High pressure application up to 15 bar	
Protection degree	IP67

Materials :

Housing	Brass
Sensing face	PA

Status indication :

Output	Yellow LED
--------	------------

Connection :

Connector	M12
Cable	PUR, halogen free
Cable length	0,15 m

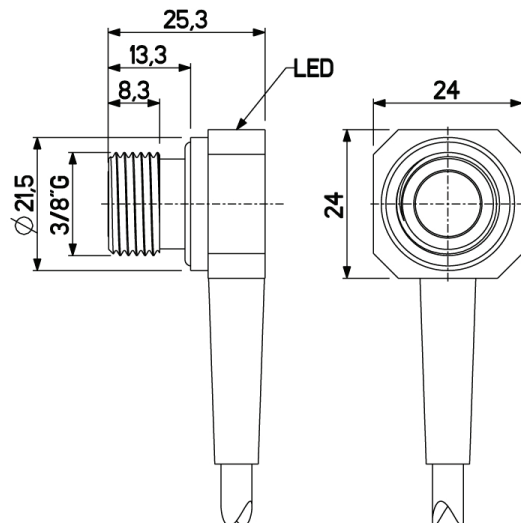
Accessories (included) :

1 O-ring (16 x 2 - NBR)

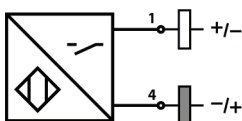
A120212M380211
High pressure (15 bar)



Dimensions :



Connection diagram :



Pin assignment :

