

Technical data :

| | |
|-------------------------------|-------------|
| Rated operating distance (Sn) | 7 mm |
| Mounting mode | Flush |
| Function | NO |
| Operating voltage | 10...30V DC |
| Operating current | 2...100 mA |
| Voltage drop | < 5 V |
| Residual current | < 800 µA |
| Ambient temperature range | -25...70 °C |
| Hysteresis | 3...15 % |
| Repeatability | < 5 % |
| Switching frequency | 200 Hz |

Protection :

| | |
|--------------------------------|-----------------------|
| Reverse polarity protection | |
| Short-circuit protection | |
| Overload protection | |
| IEC 61000-4-2 (ESD) | 4kV Contact / 8kV Air |
| IEC 61000-4-4 (Burst) | 2kV / 5kHz |
| IEC 61000-4-6 (RF conducted) | 3V 150kHz...80MHz |
| Welding environment compatible | |
| Protection degree | IP67 |

Materials :

| | |
|--------------|--------------------|
| Housing | Brass, PTFE coated |
| Sensing face | Ceramic |

Status indication :

| | |
|--------|------------|
| Output | Yellow LED |
|--------|------------|

Connection :

| | |
|------------------|--|
| Connector | M12 |
| Cable | PUR, halogen free |
| Cable length | 0,5 m |
| Cable protection | Aramid fibre (kevlar) braided sleeving |

Accessories (included) :

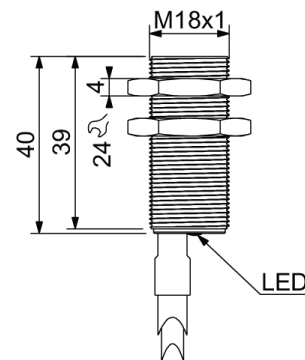
2 PTFE coated brass fixing nuts

A120212M180711KTK

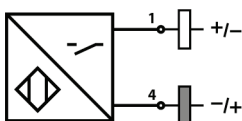
Welding environment
M18



Dimensions :



Connection diagram :



Pin assignment :

