

### Technical data :

Rated operating distance (Sn)	2 mm
Mounting mode	Flush
Function	NO
Operating voltage	10...55 V DC
Operating current	1,5...100 mA
Voltage drop	< 5,5 V
Residual current	< 600 µA
Ambient temperature range	-25...70 °C
Hysteresis	3...15 %
Repeatability	< 3 %
Switching frequency	300 Hz

### Protection :

Non-polarised	
Short-circuit protection	
Overload protection	
IEC 61000-4-2 (ESD)	4 kV contact / 8kV air
IEC 61000-4-4 (Burst)	2kV / 5kHz
IEC 61000-4-6 (RF conducted)	3V 150kHz...80MHz
AC magnetic field immunity (AC welding current)	
1,5 kA @ 5 cm	
High pressure application up to 15 bar	
Protection degree	IP67

### Materials :

Housing	Brass
Sensing face	PA

### Status indication :

Output	Yellow LED
--------	------------

### Connection :

Connector	M12
Cable	Irradiated PUR, halogen free
Cable length	0,15 m

### Accessories (included) :

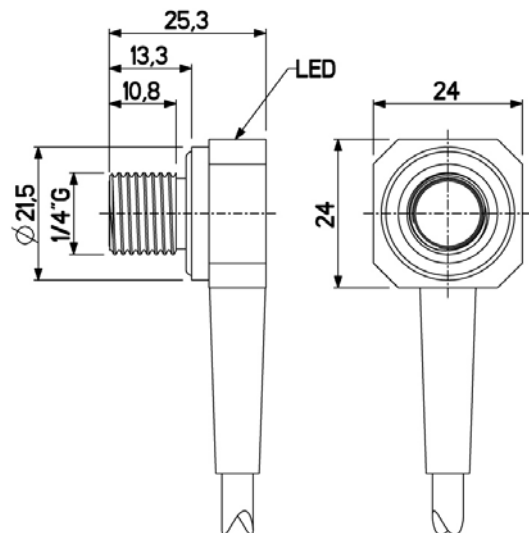
1 O-ring (16 x 2 - NBR)
-------------------------

## A120212M130211

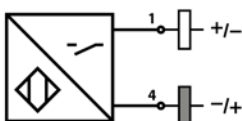
High pressure (15 bar)



### Dimensions :



### Connection diagram :



### Pin assignment :

