

Technical data :

| | |
|--|--------------|
| Rated operating distance (Sn) | 10 mm |
| Mounting mode | Flush (*) |
| (*) Flush mountable as shown in diagram enclosed | |
| Function | NO |
| Operating voltage | 10...55 V DC |
| Operating current | 1,5...100 mA |
| Voltage drop | < 5 V |
| Residual current | < 600 µA |
| Ambient temperature range | -25...70 °C |
| Hysteresis | 3...15 % |
| Repeatability | < 5 % |
| Switching frequency | 150 Hz |

Protection :

| | |
|--------------------------------|------------------------|
| Non-polarised | |
| Short-circuit protection | |
| Overload protection | |
| IEC 61000-4-2 (ESD) | 4 kV contact / 8kV air |
| IEC 61000-4-4 (Burst) | 2kV / 5kHz |
| IEC 61000-4-6 (RF conducted) | 3V 150kHz...80MHz |
| Welding environment compatible | |
| Protection degree | IP67 |

Materials :

| | |
|--------------|--------------------|
| Housing | Brass, ZnFe coated |
| Sensing face | Ceramic + PTFE |

Status indication :

| | |
|--------|------------|
| Output | Yellow LED |
|--------|------------|

Connection :

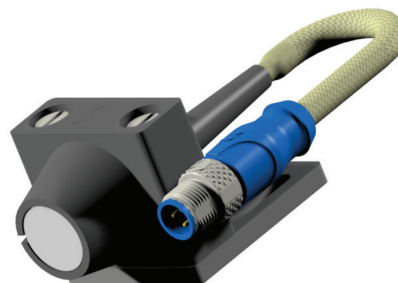
| | |
|------------------|--|
| Connector | M12 |
| Cable | PUR |
| Cable length | 0,15 m |
| Cable protection | Aramid fibre (kevlar) braided sleeving |

Accessories (included) :

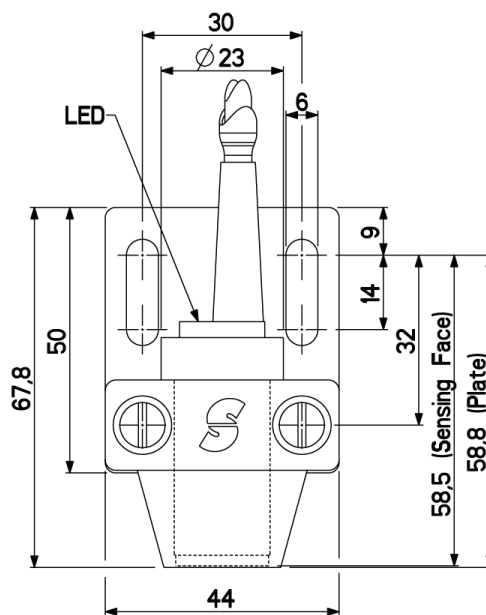
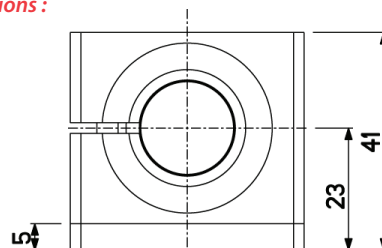
| | |
|-------------------|--|
| Clamp (SDPL18/PL) | |
|-------------------|--|

A120212L1810KTKPB

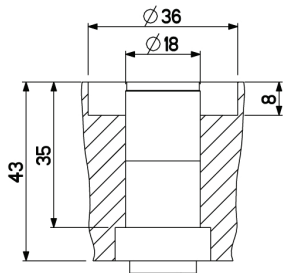
Welding environment
L18



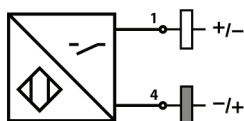
Dimensions :



Details view (mounting mode) :



Connection diagram :



Pin assignment :

