

Technical data :

Rated operating distance (Sn)	10 mm
Mounting mode	Flush (*)
(*) Flush mountable as shown in diagram enclosed	
Function	NO
Operating voltage	10...55 V DC
Operating current	1,5...100 mA
Voltage drop	< 5 V
Residual current	< 600 µA
Ambient temperature range	-25...70 °C
Hysteresis	3...15 %
Repeatability	< 5 %
Switching frequency	150 Hz

Protection :

Non-polarised	
Short-circuit protection	
Overload protection	
IEC 61000-4-2 (ESD)	4 kV contact / 8kV air
IEC 61000-4-4 (Burst)	2kV / 5kHz
IEC 61000-4-6 (RF conducted)	3V 150kHz...80MHz
Welding environment compatible	
Protection degree	IP67

Materials :

Housing	Brass, ZnFe coated
Sensing face	Ceramic + PTFE

Status indication :

Output	Yellow LED
--------	------------

Connection :

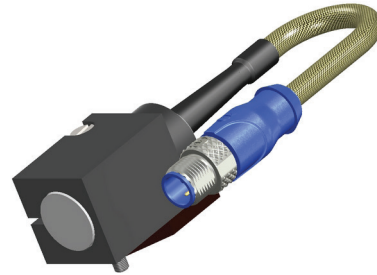
Connector	M12
Cable	PUR
Cable length	0,15 m
Cable protection	Aramid fibre (kevlar) braided sleeving

Accessories (included) :

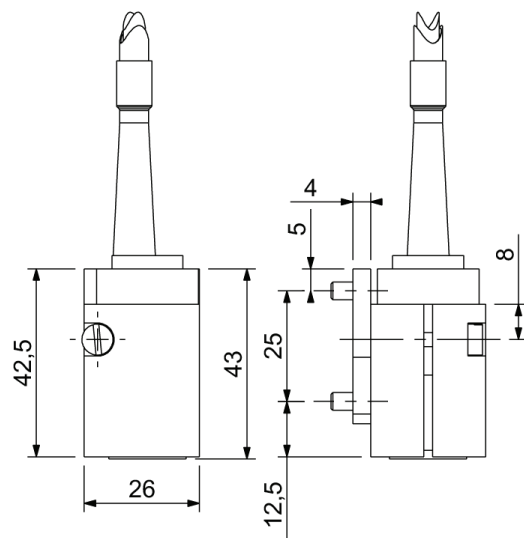
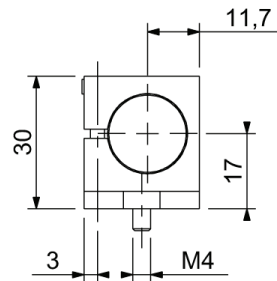
Clamp (SDPL26-18PL)	
---------------------	--

A120212L1810KTK26

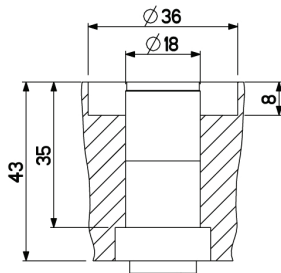
Welding environment
L18



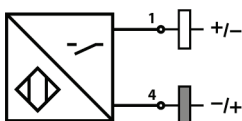
Dimensions :



Details view (mounting mode) :



Connection diagram :



Pin assignment :

