

**Technical data :**

Rated operating distance (Sn)	10 mm
Mounting mode	Flush (*)
(*) Flush mountable as shown in diagram enclosed	
Function	NO
Operating voltage	10...48V DC
Operating current	1,5...100 mA
Voltage drop	< 5 V
Residual current	< 600 µA
Ambient temperature range	-25...70 °C
Hysteresis	3...15 %
Repeatability	< 5 %
Switching frequency	150 Hz

**Protection :**

Non-polarised	
Short-circuit protection	
Overload protection	
IEC 61000-4-2 (ESD)	4kV Contact / 8kV Air
IEC 61000-4-4 (Burst)	2kV / 5kHz
IEC 61000-4-6 (RF conducted)	3V 150kHz...80MHz
Welding environment compatible	
Protection degree	IP67

**Materials :**

Housing	Brass, ZnFe coated
Sensing face	Ceramic + PTFE

**Status indication :**

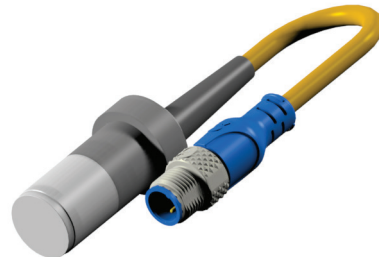
Output	Yellow LED
--------	------------

**Connection :**

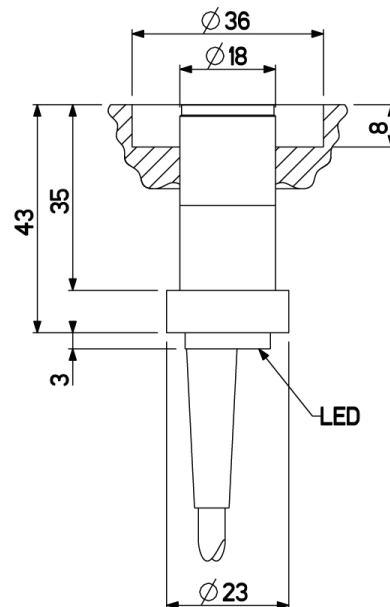
Connector	M12
Cable	PUR
Cable length	0,15 m

**A120212L181011K**

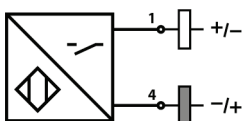
L18



**Dimensions :**



**Connection diagram :**



**Pin assignment :**

