

Technical data :

Rated operating distance (Sn)	10 mm
Mounting mode	Flush (*)
(*) Flush mountable as shown in diagram enclosed	
Function	NO
Operating voltage	10...55 V DC
Operating current	1,5...100 mA
Voltage drop	< 5 V
Residual current	< 600 µA
Ambient temperature range	-25...70 °C
Hysteresis	3...5 %
Repeatability	< 5 %
Switching frequency	300 Hz

Protection :

Non-polarised	
Short-circuit protection	
Overload protection	
IEC 61000-4-2 (ESD)	4kV Contact / 8kV Air
IEC 61000-4-4 (Burst)	2kV / 5kHz
IEC 61000-4-6 (RF conducted)	3V 150kHz...80MHz
Welding environment compatible	
Protection degree	IP67

Materials :

Housing	Brass, ZnFe coated
Sensing face	PTFE

Status indication :

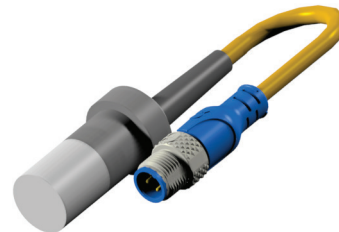
Output	Yellow LED
--------	------------

Connection :

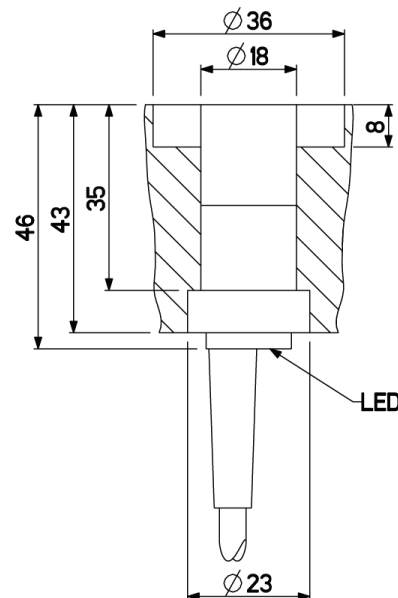
Connector	M12
Cable	PUR
Cable length	1,2 m

A120200L181011

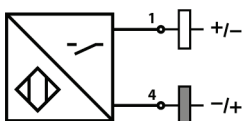
Welding environment
L18



Dimensions :



Connection diagram :



Pin assignment :

